

# Technical data sheet



## Product features

### Cooling counter GN 2D-1D2Z

|              |                                  |                             |
|--------------|----------------------------------|-----------------------------|
| <b>Model</b> | <b>SAP Code</b>                  | 00013334                    |
| MNT 2D-1D2Z  | <b>A group of articles - web</b> | Cooling and freezing tables |



- Material: Stainless steel
- GN / EN size in device: GN 1/1
- Number of GN / EN: 3
- Number of doors: 1
- Number of drawers: 2
- Control type: Digital
- Minimum device temperature [°C]: -2
- Maximum device temperature [°C]: 8
- Max ambient temperature [°C]: 43
- Insulation thickness [mm]: 60
- Unit: Right

|                            |                    |  |        |
|----------------------------|--------------------|--|--------|
| <b>SAP Code</b>            | 00013334           | <b>Number of drawers</b>               | 2      |
| <b>Net Width [mm]</b>      | 1360               | <b>Number of GN / EN</b>               | 3      |
| <b>Net Depth [mm]</b>      | 700                | <b>GN / EN size in device</b>          | GN 1/1 |
| <b>Net Height [mm]</b>     | 900                | <b>Minimum device temperature [°C]</b> | -2     |
| <b>Net Weight [kg]</b>     | 98.00              | <b>Maximum device temperature [°C]</b> | 8      |
| <b>Power electric [kW]</b> | 0.208              | <b>Refrigerant</b>                     | R290   |
| <b>Loading</b>             | 230 V / 1N - 50 Hz | <b>Worktop material</b>                | SS201  |
| <b>Energy class</b>        | B                  | <b>Refrigerant weight [g]</b>          | 108.00 |
| <b>Chamber volume [l]</b>  | 314                | <b>Climate class</b>                   | 4      |
| <b>Number of doors</b>     | 1                  |  |        |

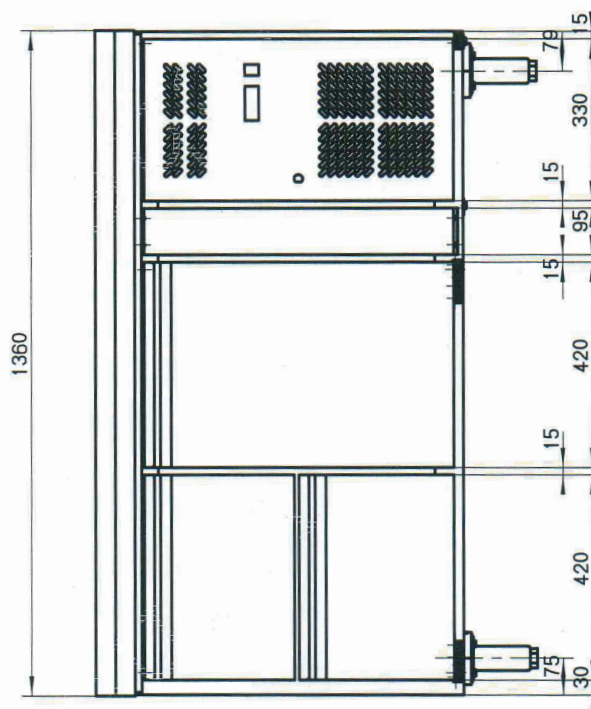
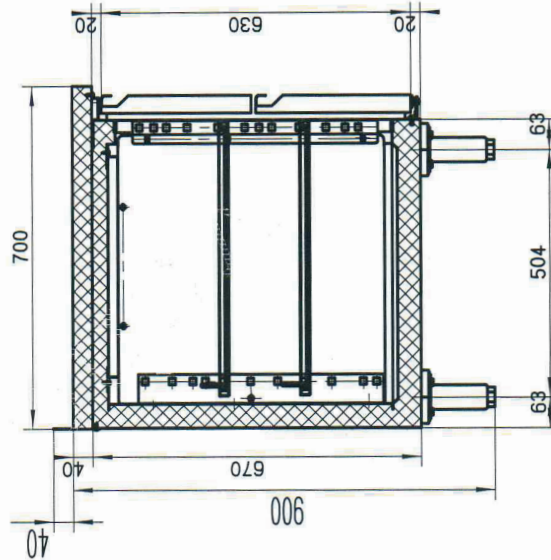
# Technical data sheet



Technical drawing

## Cooling counter GN 2D-1D2Z

|              |                                  |                             |
|--------------|----------------------------------|-----------------------------|
| <b>Model</b> | <b>SAP Code</b>                  | 00013334                    |
| MNT 2D-1D2Z  | <b>A group of articles - web</b> | Cooling and freezing tables |



# Technical data sheet



## Technical parameters

### Cooling counter GN 2D-1D2Z

|              |                                  |                             |
|--------------|----------------------------------|-----------------------------|
| <b>Model</b> | <b>SAP Code</b>                  | 00013334                    |
| MNT 2D-1D2Z  | <b>A group of articles - web</b> | Cooling and freezing tables |

**1. SAP Code:**

00013334

**2. Net Width [mm]:**

1360

**3. Net Depth [mm]:**

700

**4. Net Height [mm]:**

900

**5. Net Weight [kg]:**

98.00

**6. Gross Width [mm]:**

1390

**7. Gross depth [mm]:**

730

**8. Gross Height [mm]:**

950

**9. Gross Weight [kg]:**

113.00

**10. Device type:**

Electric unit

**11. Power electric [kW]:**

0.208

**12. Loading:**

230 V / 1N - 50 Hz

**13. Energy class:**

B

**14. Refrigerant:**

R290

**15. Cooling type:**

Static with fan

**16. Material:**

Stainless steel

**17. Exterior color of the device:**

Stainless steel

**18. Min ambient temperature [°C]:**

18

**19. Max ambient temperature [°C]:**

43

**20. Device properties 2:**

Cooling

**21. GN / EN size in device:**

GN 1/1

**22. Number of GN / EN:**

3

**23. Chamber volume [l]:**

314

**24. Worktop material:**

SS201

**25. Insulation thickness [mm]:**

60

**26. Number of doors:**

1

**27. Number of drawers:**

2

**28. Unit:**

Right

# Technical data sheet



Technical parameters

## Cooling counter GN 2D-1D2Z

|              |                                  |                             |
|--------------|----------------------------------|-----------------------------|
| <b>Model</b> | <b>SAP Code</b>                  | 00013334                    |
| MNT 2D-1D2Z  | <b>A group of articles - web</b> | Cooling and freezing tables |

**29. Control type:**

Digital

**34. Number of grids:**

3

**30. Annual energy consumption [kWh]:**

0

**35. Gross Volume [m3]:**

0.964

**31. Minimum device temperature [°C]:**

-2

**36. Net Volume [m3]:**

0.857

**32. Maximum device temperature [°C]:**

8

**37. Climate class:**

4

**33. Refrigerant weight [g]:**

108.00

**38. Cross-section of conductors CU [mm²]:**

0,5